

QB75

50 to 75 WATT WIDE INPUT
DC/DC CONVERTERS
SINGLE OUTPUT

Features:

- 50 - 75 W Isolated Output
- Efficiency to 90%
- 300KHz Switching Frequency
- 2:1 Input Range
- Regulated Outputs
- Continuous Short Circuit Protection
- Five-Sided Metal Case
- Quarter-Brick size meets industrial standards
- Meets UL1950

MODEL NUMBER	INPUT VOLTAGE	OUTPUT VOLTAGE	OUTPUT CURRENT	INPUT CURRENT		% EFF.	CASE
				NO LOAD	FULL LOAD		
QB75-48S18	36-75VDC	1.8VDC	0.5-25A	50mA	1116mA	84	QB
QB75-48S25	36-75VDC	2.5VDC	0.5-25A	50mA	1514mA	86	QB
QB75-48S33	36-75VDC	3.3VDC	0.5-20A	50mA	1563mA	88	QB
QB75-48S05	36-75VDC	5VDC	0.5-15A	50mA	.736mA	90	QB

Note: 1. Nominal Input voltage 48VDC.



D1 International, Inc.

95 East Main St., Huntington, NY 11743 USA 631-673-6866 Fax: 631-673-6893
www.d1international.com e-mail: sales@d1international.com



INPUT SPECIFICATIONS:

Input Voltage Range.....48V.....36-75V
 Under Voltage Lockout.....48Vin power up.....34V
 48Vin power down.....32.5V
 Positive Logic Remote ON/OFF (see note 3&4)
 Input Filter.....Pi Type

OUTPUT SPECIFICATIONS:

Voltage Accuracy.....±1% max.
 Transient Response: 75% - 100% Step Load Change
 Error Band.....±5% Vout
 Recover Time.....<500us
 External Trim Adj. Range.....±10%
 Ripple & Noise, 20MHz BW.....40mV RMS, max
 100mV pk - pk, max.
 Temperature Coefficient.....±0.03%/°C
 Short Circuit Protection.....Continuous
 Line Regulation (1).....±0.2% max.
 Load Regulation(2).....±0.2% max.
 Over Voltage protection trip range, %Vo nom.....115-140%
 Current Limit.....110% - 140% nominal Output

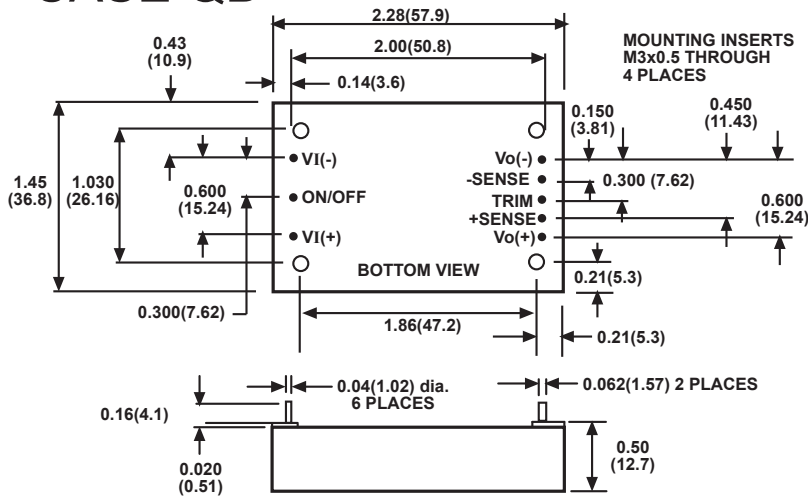
GENERAL SPECIFICATIONS:

Efficiency.....See Table
 Isolation Voltage.....Input/Output.....1500VDC min.
 Input Case.....1500VDC min.
 Output Case.....1500VDC min.
 Isolation Resistance.....10- Ohm min.
 Switching Frequency.....300KHz Typ.
 Operating Case Temperature.....-40°C to +100°C
 Storage Temperature.....-40°C to +105°C
 Thermal Shutdown, Case Temp.100°C Typ.
 Dimensions.....1.45 x 2.28 x 0.50 inches
 (36.8 x 57.9 x 12.7 mm)
 Case Material.....Metal Baseplate

Notes:

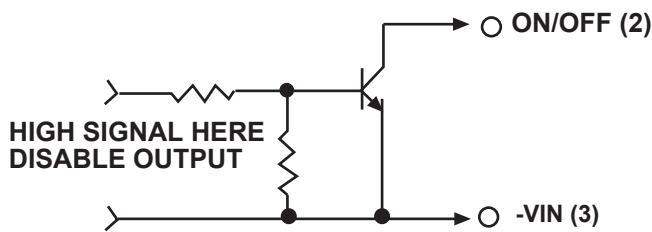
1. Measured from High Line to Low Line.
2. Measured from lo min. to lo max.
3. Logic compatibility.....Open collector ref to -input.
 Module ON.....Open Circuit
 Module OFF...<0.6Vdc
4. Suffix "N" to the Model Number with Negative Logic Remote ON/OFF.

CASE QB

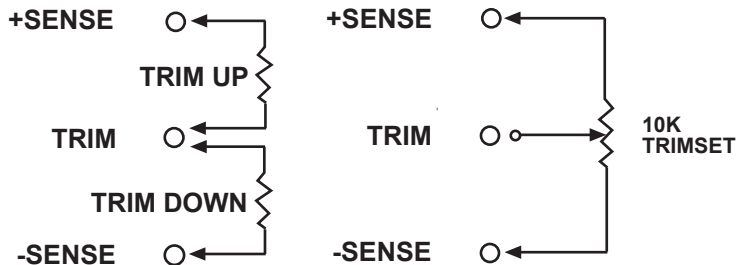


Dimensions inches (mm)
 Tolerance: X.XX inches ±0.02 inches (X.X mm ±0.5mm)
 X.XXX inches ±0.010 inches (X.XX mm ±0.23mm)

REMOTE ON/OFF CONTROL



EXTERNAL OUTPUT TRIM



D1 International, Inc.

95 East Main St., Huntington, NY 11743 USA 631-673-6866 Fax: 631-673-6893
 www.d1international.com e-mail: sales@d1international.com

