

LAN-1

1 TO 2 WATT LAN DC-DC CONVERTERS

Features:

- 24-Pin DIP Package
- Cheapernet Application
- Pi Input Filter
- 5 or 12 VDC Input
- Full Power to +71°C

MODEL NUMBER	INPUT VOLTAGE	OUTPUT VOLTAGE	OUTPUT CURRENT	INPUT CURRENT		PIN CONN.	CASE
				NO LOAD	FULL LOAD		
REGULATED							
2A09	5 VDC	9 VDC	140 mA	120 mA	540 mA	B	A
2A19	12 VDC	9 VDC	140 mA	45 mA	215 mA	B	A

Pin

1	+V Input
2	+V Input
3	+V Input
10	+V Output
11	+V Output
12	+V Output
13	-V Output
14	-V Output
15	-V Output
22	-V Input
23	-V Input
24	-V Input



D1 International, Inc.

95 E. Main St. Huntington, NY 11743 USA • 631-673-6866 • Fax: 631-673-6893
www.d1international.com • e-mail: d1intl@aol.com



SPECIFICATIONS:

Input Voltage	5 or 12VDC
Input Voltage Range	±10%
Input Filter	PI Type

OUTPUT SPECIFICATIONS:

Output Voltage	9VDC
Voltage Accuracy	+5% max.
Ripple & Noise, 20mHz BW	100mV p-p
Short Circuit Protection	Momentary
Line Regulation ¹	±0.3%
Load Regulation ²	±0.5%

GENERAL SPECIFICATIONS:

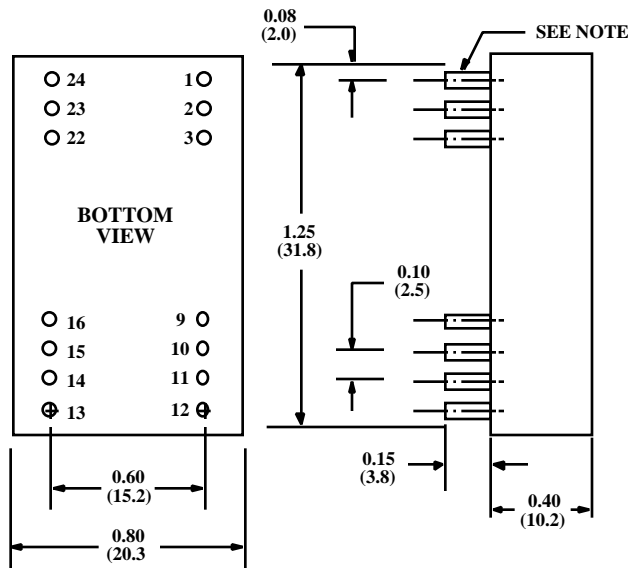
Efficiency	50%
Switching Frequency	20kHz min.
Isolation Voltage	500VDC min.
Operatubg Temperature	-25°C to +71°C
Case Temperature	95°C max.
Cooling	Free-Air Convection
Storage Temperature Range	-40°C to +85°C
Dimensions	1.25 x 0.8 x 0.4 inches (31.8 x 20.3 x 10.2mm)
Case Material	Non-Conductive Black Material

NOTE:

1. Line regulation is per 1.0% change in input voltage.
2. Load regulation is for load change from 100% ro 20%.

CASE A

NOTE: PIN SIZE IS .020 INCH (0.5mm) DIA. OR .020 x .014 INCH
All Dimensions In Inches (mm)



All Specifications Typical At Nominal Line, Full Load and 25°C Unless Otherwise Noted.