



D1 International, Inc.

DPM5045R
DPM5045R/BL

MULTIRANGE PRECISION 4 1/2 DIGIT LCD
VOLT/AMP PANEL METER
WITH AND WITHOUT BACKLIGHT



FEATURES:

- Switch selectable: voltage ranges and decimal point position
- Easy to read 0.5" LCD readout
- Run/Hold Control
- Automatic Zero and Polarity
- Differential Input
- Simple Snap-In Installation
- Built-in Bezel

The DPM5045R is a versatile high precision digital panel meter that uses a DIP switch to select voltage measuring ranges and decimal point positions. Model DPM 5045R replaces Model DPM5045.

ELECTRICAL SPECIFICATIONS:

Display:	4 1/2 digits, 0.5" H (12.7mm), with decimal points
DC Input Voltage Range (Switch Selectable):	$\pm 199.99\text{mV}$, $\pm 1.9999\text{V}$, $\pm 19.999\text{V}$ or $\pm 199.99\text{V}$
DC Current Measuring Range ¹ :	19.999mA to 10,000 Amps
Accuracy:	200mV/2VDC - $\pm 0.05\%$ ± 2 counts 20V/200VDC - $\pm 0.5\%$ ± 2 counts
Input Impedance:	200mV/2VDC 1000 megohms 20VDC/200VDC: 10 megohms
Overrange Indication:	"1" shown on left side of display
Power Supply ² :	7.2 - 9VDC, 2mA without backlight 45mA with backlight (DPM5045R/BL only)
Low Battery Indication:	"BAT" appears on display @ approx. 7.2VDC
Conversion Rate:	Approx. 2 times/second
Operating Temperature Range:	0 to +50°C
Temperature Coefficient:	60ppm/°C
Operating Humidity:	Up to 85%, noncondensing
Weight:	Approx. 1.59 oz. (45g)

NOTE:

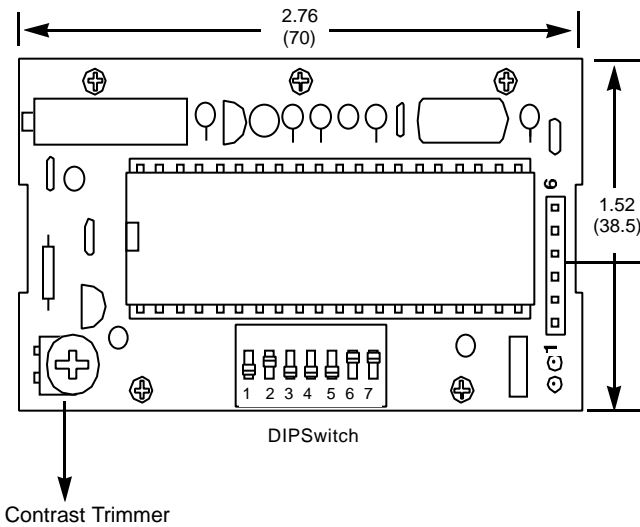
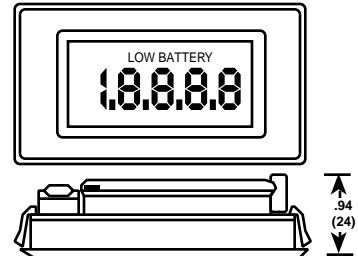
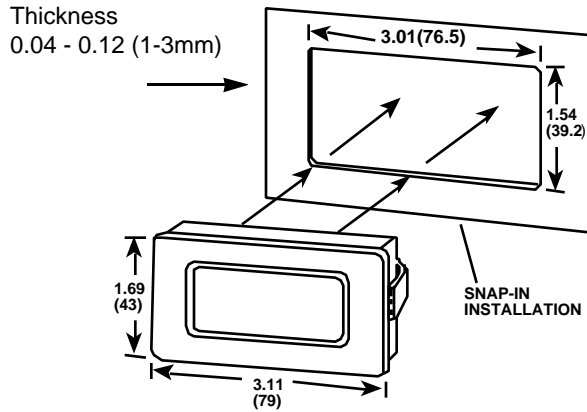
1. - External shunt required. Call D1 International for details.
2. - "Input Lo" must be isolated from power supply minus (-).

D1 International, Inc. 95 E. Main St., Huntington, NY 11743 USA
631-673-6866 Fax:631-673-6893 • www.d1international.com



DPM5045R DPM5045R/BL

MECHANICAL SPECIFICATIONS:



TERMINAL CONNECTIONS

1. Input Hi
 2. Input Lo
 3. Run/Hold (Connect to power supply + = HOLD)
 4. Backlight DPM5045R/BL only (connect to power supply + = ON)
 5. Power Supply plus (+)
 6. Power supply minus (-)
- Decimal point position is set by connecting Terminal 3 (Decimal Point Common) to Terminals, 4, 5, or 6*

ORDERING INFORMATION:
DPM5045R: Without backlight
DPM5045R/BL: With backlight



DC Voltage Range DIP Switch Positions

DIP SWITCH	199.99mV	1.9999V	19.999V	199.99V
1			ON	ON
2		ON		ON
3				
4	ON			ON
5			ON	
6		ON		
7	ON	ON		

DC Voltage Range DIP Switch Positions

(Value of external shunt shown)

DIP SWITCH	19.999mA Rs:10 Ohm	199.99mA Rcs:1 Ohm	1999.9mA Rc:0.1 Ohm	1.9999A Rs:0.1Ohm
1				
2				
3			ON	
4		ON		
5	ON			
6				ON
7	ON	ON	ON	ON

DIP SWITCH POSITION FUNCTIONS:

1, 2 and 7: Select voltage ranges.

3, 4, 5 and 6: Select decimal point position.

For no decimal point: Place switch positions 3, 4, 5 and 6 "OFF".

