



D1 International, Inc.

DPM5035L

LOW POWER 3 1/2 DIGIT LCD VOLT/AMP PANEL METER



FEATURES:

- Simple snap-in installation
- Built-in bezel
- Easy to read 0.5" LCD readout
- Automatic zero and automatic polarity indication
- User selectable decimal point position
- Differential input

High precision, excellent 50/60 Hz common mode rejection and easy snap-in installation makes this meter a perfect choice for a wide variety of instrumentation. It is ideal for use in battery operated equipment due to its very low power consumption.

TYPICAL APPLICATIONS:

Thermometer	Capacitance/Inductance
Null Indicator	Fluid Flow Rate
AC Voltage	Digital Scale
AC Current	Tachometer
OHMS, Power, PH	Tuning Indicator

Interface circuits may be required for some of the above specifications.

ELECTRICAL SPECIFICATIONS:

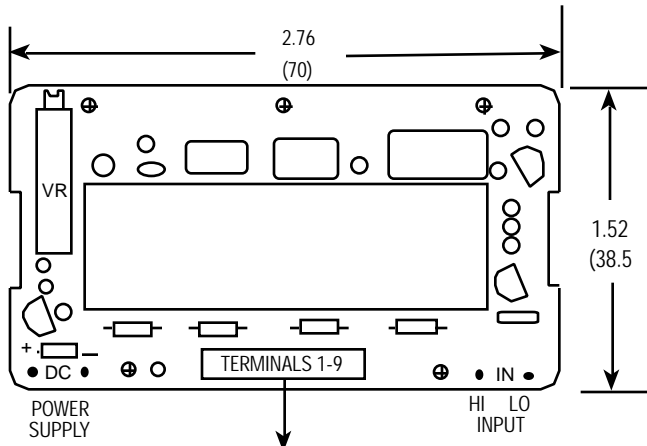
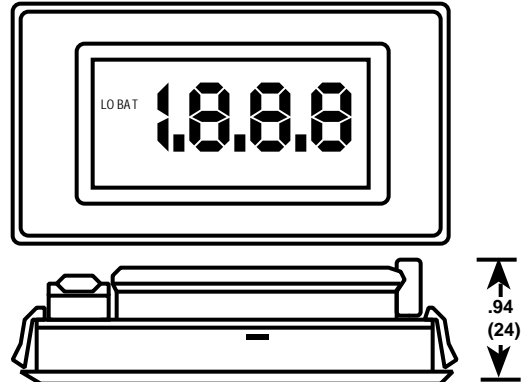
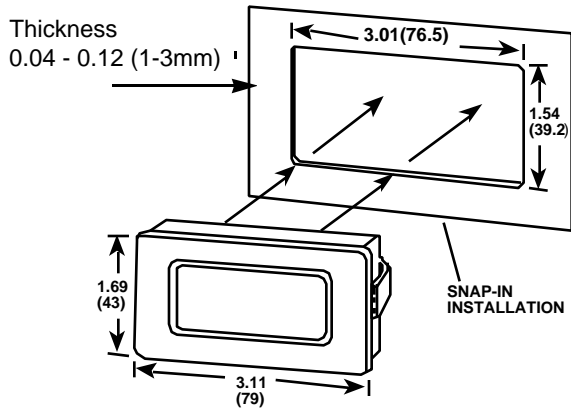
Basic DC Input Range:	±199.9mV (±1.999V, ±19.99V or ±199.9V available)
DC Current Ranges:	±19.99mA to ±1,000Amps (Contact D1 International)
Accuracy:	0.1%, ±1 count
Power Supply*:	7.5 to 9 Volts DC
Power Consumption:	Approx. 2mW @ 9VDC
Low Battery Indication:	LOBAT @ approx. 7.2VDC
Temperature Coefficient:	80 ppm/°C
Conversion Rate:	Approx. 3 times/second
Overrange Indication:	"1" on left side of display
Operating Temp. Range:	0°C to +50°C
Operating Humidity:	Up to 85%, noncondensing
Weight:	Approx. 1.6oz., (45g)

*"Input Low" must be isolated from power supply minus (-)

D1 International, Inc. 95 E. Main St., Huntington, NY 11743 USA
631-673-6866 Fax:631-673-6893 • www.d1international.com



DPM5035L



TERMINAL CONNECTIONS:

- | | |
|-------------------------|--------------------------|
| 1. Power Supply (-) | 6. Decimal Point 3 |
| 2. Power Supply (+) | 7. LCD Back Plane Output |
| 3. Decimal Point Common | 8. Input Lo (-) |
| 4. Decimal Point 1 | 9. Input Hi (+) |
| 5. Decimal Point 2 | |

Decimal point position is set by connecting Terminal 3 (Decimal Point Common) to Terminals 4, 5, or 6.

MODEL	DC VOLTAGE RANGE	IMPEDANCE
DPM5035L/0*	±199.9mVDC	>1,000M
DPM5035L/2	±1.999VDC	>1,000M
DPM5035L/20*	±19.99VDC	1Megohm
DPM5035L/200	±199.9VDC	1Megohm

*STOCK ITEMS

