

# 5A

## 6-24 WATT WIDE INPUT DC-DC CONVERTERS

### Features:

- 6 - 24 W Non-Isolated Output
- Efficiency to 94%
- Input LC Filter
- 24-Pin DIP Package
- Regulated Outputs

MODEL NUMBER	INPUT VOLTAGE	OUTPUT VOLTAGE	OUTPUT CURRENT	INPUT CURRENT		% EFF.	CASE
				NO LOAD	FULL LOAD		
5A-05S33	4.7-6 VDC	3.3 VDC	2000 mA	15 mA	1535 mA	86	
5A-12S33	9-32 VDC	3.3 VDC	2000 mA	15 mA	647 mA	85	
5A-12S05	9-32 VDC	5 VDC	2000 mA	15 mA	947 mA	88	
5A-12S12	9-32 VDC	12 VDC	830 mA	15 mA	954 mA	87	A
5A-12S15	9-32 VDC	15 VDC	666 mA	15 mA	957 mA	87	
5A-24S12	16-32 VDC	12 VDC	1600 mA	15 mA	860 mA	93	
5A-24S15	19-32 VDC	15 VDC	1600 mA	15 mA	1053 mA	94	

NOTE: 1. Nominal Input Voltage 5,12 or 24 VDC



**D1 International, Inc.**

95 E. Main St. Huntington, Ny 11743 USA • 631-673-6866 • Fax: 631-673-6893  
www.d1international.com • e-mail: d1intl@aol.com



### INPUT SPECIFICATIONS:

Input Voltage Range.....	5.0V.....	4.7-6V
	12V.....	9-32V
	24V.....	16-32V
	24V.....	19-32V
Input Filter.....		LC Type

### OUTPUT SPECIFICATIONS:

Voltage Accuracy.....		± 2.0% max.
Temperature Coefficient.....		± 0.05% / °C
Ripple and Noise, 20MHz BW, .....	3.3V/5V.....	100mV p-p max.
	12V/15V.....	1% p-p max.
Over Current Protection.....		120%-150%
Line Regulation <sup>1</sup> .....		± 0.5% max.
Load Regulation <sup>2</sup> .....		± 0.5% max.

### GENERAL SPECIFICATIONS:

Efficiency.....		See Table
Switching Frequency.....		150kHz, Typ.
Isolation Voltage (Input/Output).....		Non-Isolation
Operating Temperature Range.....		-25°C to +71°C
Case Temperature.....		100°C max.
Cooling.....		Free-Air Convection
Storage Temperature Range.....		-40°C to + 100°C
Dimensions.....		1.25 x 0.8 x 0.4 inches (31.8 x 20.3 x 10.2mm)

### CASE MATERIAL:

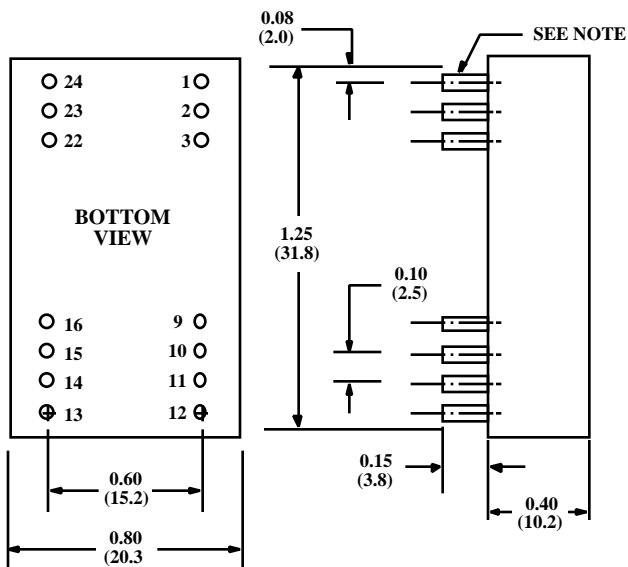
Standard Models.....	Black Coated Copper with Non-Conductive Base
----------------------	---

### NOTE:

1. Measured From High Line to low Line
2. Measured From Full Load to 10% Load

## CASE A

NOTE: Pin Size is 0.02" Inch (0.5m/m) DIA or .02 x .014 Inch  
All Dimensions in Inches(mm)



PIN CONNECTION			
Pin	Function	Pin	Function

1.	NP	24	NP
2.	-V Input	23	+V Input
3.	-V Input	22	+V Input
9.	-V Output	16	-V Output
10.	NC	15	NC
11.	+V Output	14	+V Output
12.	NP	13	NP

\*NP-NO PIN

\*NC-NO CONNECTION WITH PIN

All Specifications Typical At Nominal Line, Full Load and 25 °C Unless Otherwise Noted.