

2A

1.5 WATT DC-DC CONVERTERS

Features:

- 1.5W Isolated Output
- 24-Pin DIP Package
- Regulated Outputs
- 50% Efficiency
- Pi Input Filter
- Low Ripple and Noise

MODEL NUMBER	INPUT VOLTAGE	OUTPUT VOLTAGE	OUTPUT CURRENT	INPUT CURRENT		CASE
				NO LOAD	FULL LOAD	
2A01	5 VDC	5 VDC	300 mA	110 mA	620 mA	A
2A02		12 VDC	125 mA		550 mA	
2A03		15 VDC	100 mA		550 mA	
2A04		±12 VDC	±60 mA		550 mA	
2A05		±15 VDC	±50 mA		550 mA	
2A11	12 VDC	5 VDC	300 mA	40 mA	260 mA	A
2A12		12 VDC	125 mA		215 mA	
2A13		15 VDC	100 mA		215 mA	
2A14		±12 VDC	±60 mA		215 mA	
2A15		±15 VDC	±50 mA		215 mA	
2A21	24 VDC	5 VDC	300 mA	20 mA	130 mA	A
2A22		12 VDC	125 mA		115 mA	
2A23		15 VDC	100 mA		115 mA	
2A24		±12 VDC	±60 mA		115 mA	
2A25		±15 VDC	±50 mA		115 mA	
2A31	28 VDC	5 VDC	300 mA	20 mA	110 mA	A
2A32		12 VDC	125 mA		100 mA	
2A33		15 VDC	100 mA		100 mA	
2A34		±12 VDC	±60 mA		100 mA	
2A35		±15 VDC	±50 mA		100 mA	
2A41	48 VDC	5 VDC	300 mA	15 mA	65 mA	A
2A42		12 VDC	125 mA		60 mA	
2A43		15 VDC	100 mA		60 mA	
2A44		±12 VDC	±60 mA		60 mA	
2A45		±15 VDC	±50 mA		60 mA	



D1 International, Inc.

95 E. Main St. Huntington, Ny 11743 USA • 631-673-6866 • Fax: 631-673-6893
www.d1international.com • e-mail: d1intl@aol.com



Specifications

2A SERIES

INPUT SPECIFICATIONS:

Input Voltage Range.....±10%
 Input Filter.....PI Type

OUTPUT SPECIFICATIONS:

Voltage Accuracy.....± 4.0% max.
 Temperature Coefficient.....± 0.02% °C
 Ripple and Noise, 20MHz BW.....50mV p-p max.
 Short Circuit Protection.....Momentary
 Line Regulation.....± 0.3%
 Load Regulation.....± 0.5%

GENERAL SPECIFICATIONS:

Efficiency.....50%
 Isolation Capacitance.....30pF
 Isolation Resistance.....10⁹ ohms
 Switching Frequency.....20KHz, min
 Operating Temperature Range.....-25°C to + 71°C
 Case Temperature (Plastic case).....95°C max.
 (Copper case).....100°C max.
 Cooling.....Free-Air Convection
 Storage Temperature Range.....-40°C to + 100°C
 Dimensions1.25 x 0.8 x 0.4 inches
 (31.8 x 20.3 x 10.2mm)

ISOLATION VOLTAGE:

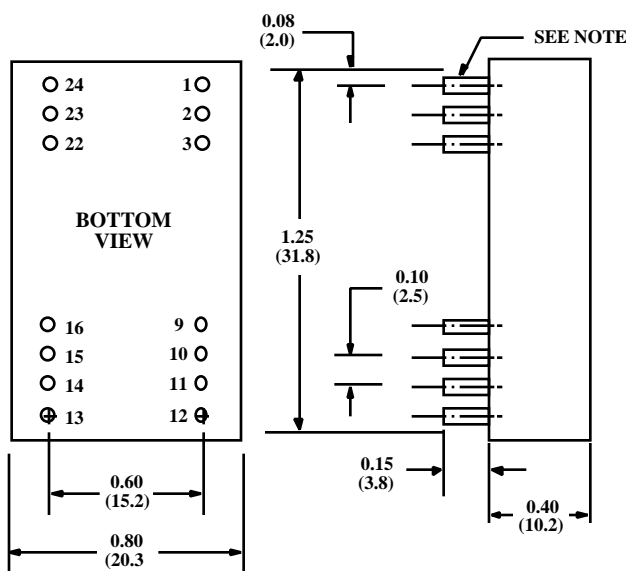
500 VDC min.....Standard Models
 3K VDC min.....Suffix "H" Models

CASE MATERIAL:

Standard Models.....Non-Conductive Black Plastic
 Suffix "M" Models.....Black Coated Copper
 with Non-Conductive Base

CASE A

NOTE: Pin Size is 0.02" Inch (0.5mm/m) DIA or .020 x .014 Inch
 All Dimensions In Inches(mm)



PIN CONNECTION					
500 VDC			3K VDC		
Pin	Single Output	Dual Output	Pin	Single Output	Dual Output

1	24	+V Input	+V Input	1 2,3	+V Input	+V Input
2	23	NC	-V Output	22,23,24	-V Input	-V Input
3	22	NC	Common	10 11	NP	Go Output
10	-V Output	Common	12	-V Output	-TP	
11	+V Output	+V Output	13	+V Output	-V Output	
12	-V Input	-V Input	14	NP	NP	
13	-V Input	-V Input	15	NP	+V Output	
14	+V Output	+V Output	16	NP	+TP	
15	-V Output	Common	17	+TP	NP	

*NP-NO PIN

*TP-TEST POINT

*NC-NO CONNECTION WITH PIN

*GO-GROUND

All Specifications Typical At Nominal Line,
 Full Load and 25°C Unless Otherwise Noted.